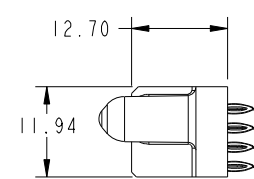
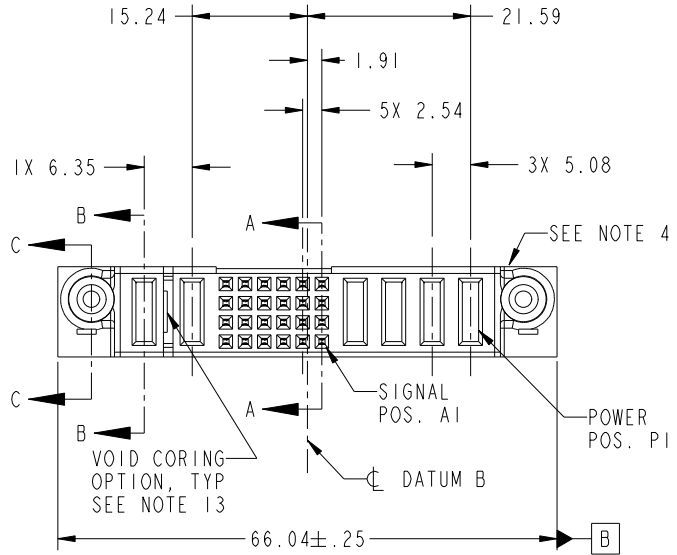


Tous droits strictement réservés. Reproduction ou communication a des tiers interdite sous quelque forme que ce soit sans autorisation écrite du propriétaire. Propriété de c.FCI. Droits de reproduction FCI.

All rights strictly reserved. Reproduction or issue to third parties in any form whatever is not permitted without written authority from the proprietor. Property of FCI. Copyright FCI.



PRODUCT NO.	ROWS	POWER		SIGNAL					POWER				E1						
		E2	P6	P5	6	5	4	3	2	1	P4	P3		P2	P1				
51940-032-- NOTE: 3	D C B A		PC	PF	F	F	F	F	F	F	F	F	F	F	PF	PC	PC	PF	



CODE	DIM "M" MATING LENGTH	CONTACT TYPE
F	[N/A]	SIGNAL
PC	[1.07]	POWER
PF	[2.34]	POWER

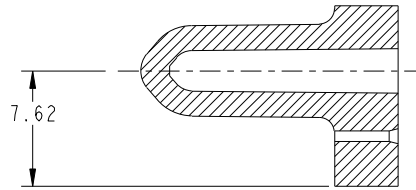
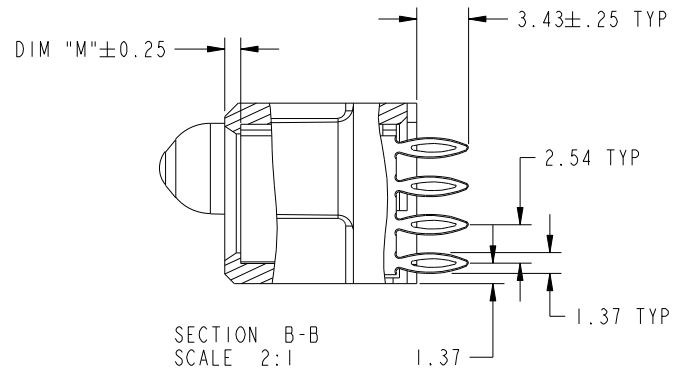
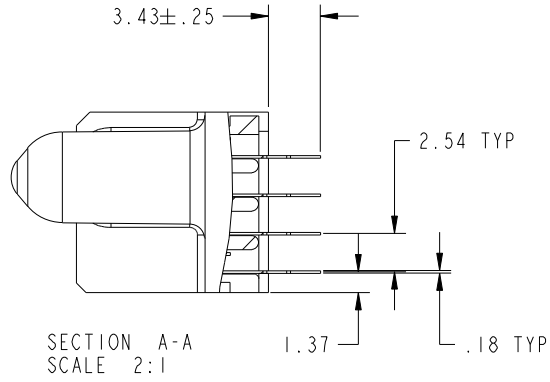
mat'l code				SEE NOTE		tolerances unless otherwise specified		CUSTOMER		 www.fciconnect.com		
lfr	ecn no.	dr	date	linear	0.X ± 0.5	COPY		projection		title		
A	V03-0142	TAB	01/31/03	0.XX ± 0.25	MM				4P + 24S + 2P			
B	DG05-0162	SJ	06/15/05	0.XXX ± 0.10	scale		1:1		VERTICAL PRESS FIT RECEPT			
C	DG07-0498	JW	09/15/08	angles	0° ± 2°	product family		PwrBlade		code		
				dr	T. BRUNGARD	01/31/03	size		dwg no		213	
				engr	M. MOSTOLLER	01/31/03	A		51940-032		sheet	
				chr	M. MOSTOLLER	01/31/03					1 of 4	
				appd	M. MOSTOLLER	01/31/03						
sheet index	revision sheet	C	C	C	C	C						
		1	2	3	4							

Tous droits strictement reserves. Reproduction ou communication a des tiers interdite sous quelque forme que ce soit sans autorisation ecrite du proprietaire. Propriete de c FCI. Droits de reproduction FCI.

All rights strictly reserved. Reproduction or issue to third parties in any form whatever is not permitted without written authority from the proprietor. Property of FCI. Copyright FCI.



PRODUCT NUMBER
51940-032--
NOTE: 3



mat'l code		SEE NOTE		tolerances unless otherwise specified		CUSTOMER		 www.fciconnect.com	
lfr	ecn no.	dr	date	linear	0.X ± 0.5	COPY		title	
C				linear	0.XX ± 0.25	projection		4P + 24S + 2P	
				angles	0.XXX ± 0.10			VERTICAL PRESS FIT RECEPT	
				angles	0° ± 2°			product family	
				dr	T. BRUNGARD 01/31/03	MM		PwrBlade	
				enrg	M. MOSTOLLER 01/31/03			code	
				chr	M. MOSTOLLER 01/31/03	scale		213	
				appd	M. MOSTOLLER 01/31/03	1:1		sheet	
sheet index		revision sheet				A		51940-032	
								2	

cage code 2856

Pro/E

PDM: Rev: C

STATUS: Released

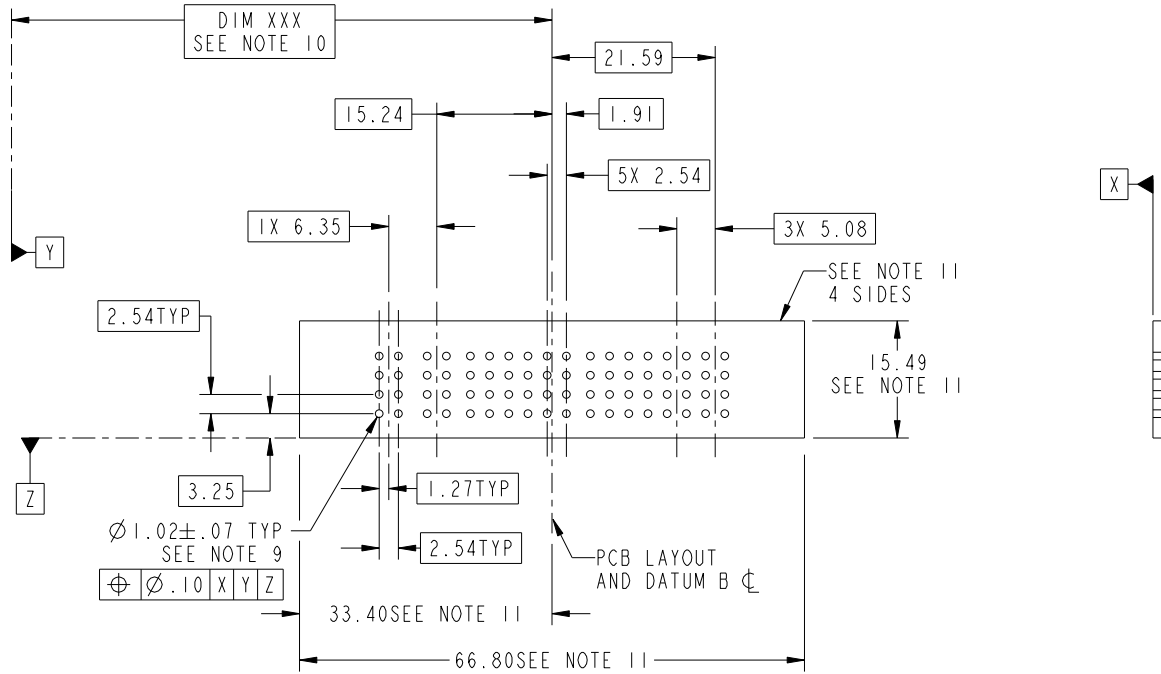
Printed: Sep 26, 2008

Tous droits strictement reserves. Reproduction ou communication a des tiers interdite sous quelque forme que ce soit sans autorisation ecrite du proprietaire. Propriete de c FCI. Droits de reproduction FCI.



All rights strictly reserved. Reproduction or issue to third parties in any form whatever is not permitted without written authority from the proprietor. Property of FCI. Copyright FCI.

PRODUCT NUMBER
51940-032--
NOTE: 3



mat'l code		SEE NOTE		tolerances unless otherwise specified		CUSTOMER		 www.fciconnect.com	
lir	ecn no.	dr	date	linear	0.X ± 0.5	COPY		title	
C				linear	0.XX ± 0.25	projection		4P + 24S + 2P	
				angles	0.XXX ± 0.10			VERTICAL PRESS FIT RECEPT	
					0° ± 2°			product family	
				dr	T. BRUNGARD 01/31/03	MM		PwrBlade	
				enrg	M. MOSTOLLER 01/31/03	scale		code	
				chr	M. MOSTOLLER 01/31/03	1:1		213	
				appd	M. MOSTOLLER 01/31/03	A		sheet	
sheet index		revision sheet				51940-032		3	

cage code 2856

Pro/E

PDM: Rev: C

STATUS: Released

Printed: Sep 26, 2008

Tous droits strictement reserves. Reproduction ou communication a des tiers interdite sous quelque forme que ce soit sans autorisation ecrite du proprietaire. Propriete de c.FCI. Droits de reproduction FCI.

All rights strictly reserved. Reproduction or issue to third parties in any form whatever is not permitted without written authority from the proprietor. Property of FCI. Copyright FCI.



1 | 2

3

4

PRODUCT NUMBER

51940-032--
NOTE: 3

NOTES:

1. DIMENSIONS AND TOLERANCES ARE IN ACCORDANCE WITH ASME Y14.5M, 1994 UNLESS OTHERWISE SPECIFIED.

CONNECTOR NOTES:

② HOUSING MATERIAL: UL 94 V-0 GLASS FILLED
HIGH-TEMP THERMOPLASTIC
POWER CONTACT MATERIAL: COPPER ALLOY
SIGNAL PIN MATERIAL: COPPER ALLOY

△3. PLATING:
SEE ITEM 7 & 8 IN PRINT 10064183 FOR PLATING SPEC OF 51940-032; 51940-032LF RESPECTIVELY.

④ MANUFACTURER'S NAME, P/N, AND DATE CODE TO APPEAR ON THIS SURFACE.

5. PRODUCT SPECIFICATION GS-12-149.
APPLICATION SPECIFICATION BUS-20-067.

6. PACKAGED IN TRAYS.

PCB NOTES:

7. ALL HOLE DIAMETERS ARE FINISHED HOLE SIZE.

⑧ MOUNTING HOLES, WHERE APPLICABLE, ARE UNPLATED.

⑨ $\varnothing 1.151 \pm 0.025$ DRILLED HOLES PLATED WITH
0.008 MIN SnPb OR Sn OVER 0.03
TO 0.08 Cu PLATING TO ACHIEVE
 $\varnothing 1.02 \pm .07$ HOLE.

⑩ "DIM XXX" TO BE DETERMINED BY THE CUSTOMER.

⑪ CONNECTOR KEEP-OUT ZONE.

12 A △SYMBOL WILL BE NEXT TO ANY DIMENSION, VIEW, OR NOTE WHICH HAS BEEN MODIFIED WITH THE CURRENT DRAWING REVISION.

13. THE VOID CORING IN BETWEEN POWER MODULES, SIGNAL MODULES AND END MODULES ARE OPTIONAL AND THE SHAPE MAY BE DIFFERENT FOR OPTIMIZING THE MOLDING PROCESS. THE VOID CORING WILL NOT EFFECT TO PRODUCT FUNCTION.

mat'l code		SEE NOTE		tolerances unless otherwise specified		CUSTOMER		www.fciconnect.com	
lir	ecn no.	dr	date	linear	0.X ±0.5	COPY		title	
C					0.XX ±0.25	projection		4P + 24S + 2P	
				angles	0.XXX ±0.10			VERTICAL PRESS FIT RECEIPT	
					0° ±2°			product family	
				dr	T. BRUNGARD 01/31/03	MM		PwrBlade	
				enrg	M. MOSTOLLER 01/31/03	scale		code	
				chr	M. MOSTOLLER 01/31/03	1:1		213	
				appd	M. MOSTOLLER 01/31/03	A		sheet	
sheet index		revision sheet				51940-032		4	

A

A

B

B

1 | 2

Pro/E

PDM: Rev: C

STAT: Released

Printed: Sep 26, 2008

cage code 2856

4